

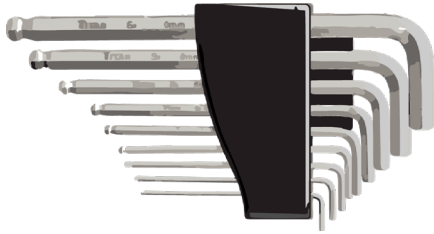
# Kneeboard Rack

## INSTALLATION MANUAL

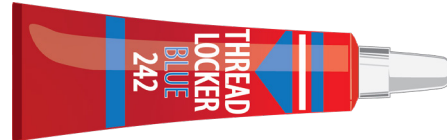


### Gather Additional Tools and Materials

Allen Wrench Set

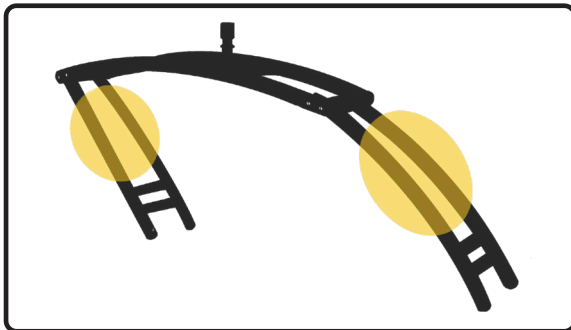


Loctite® 242 Blue

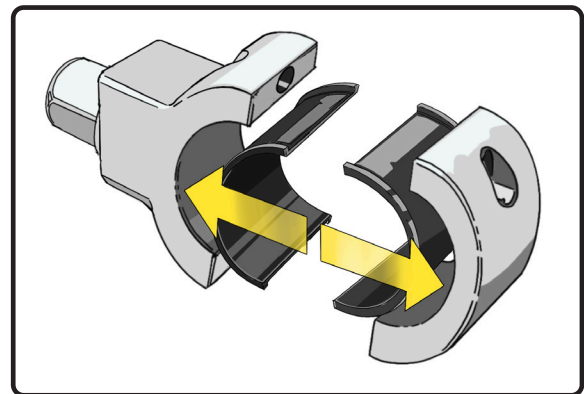


### Step 1: Attaching Clamp to Tower

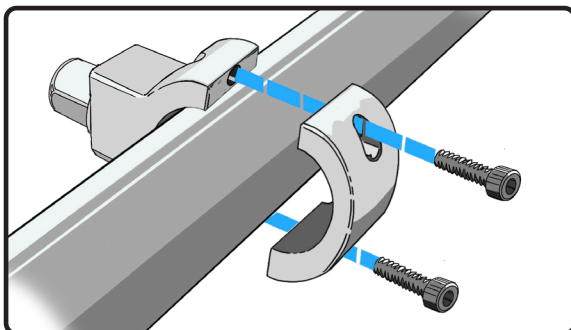
1. Clamp the mounting bracket to the desired spot on the tower leg. Mount to a verticle or semi-verticle portion of the tower. **DO NOT MOUNT TO HORIZONTAL PIPE.**



2. Choose the appropriate sized insert for your tower. A slight gap will show between the inserts.



3. Attach the clamp and inserts to the desired location.



**PRO TIP:** We recommend to torque the clamp screws to 22ft/lbs to ensure an even tension.

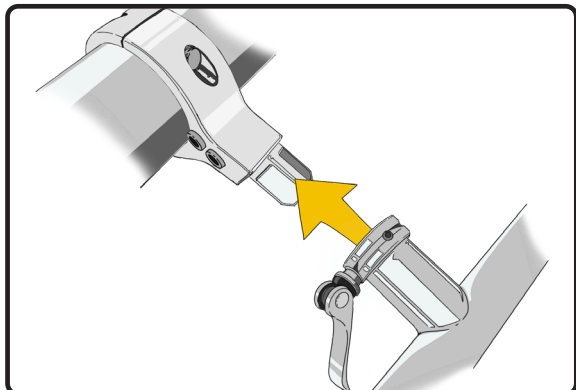
\*Loctite® 242 Blue can be applied to any bolt during assembly to ensure a locking fit.



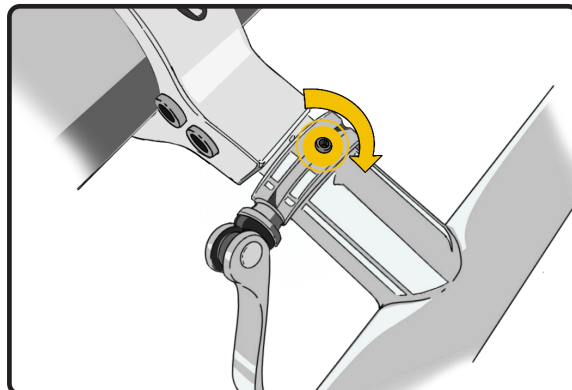
Do you have questions? Call us @ 877.777.8693 Monday – Friday, 8am–5pm EST

## Step 2: Connecting Rack to Clamp

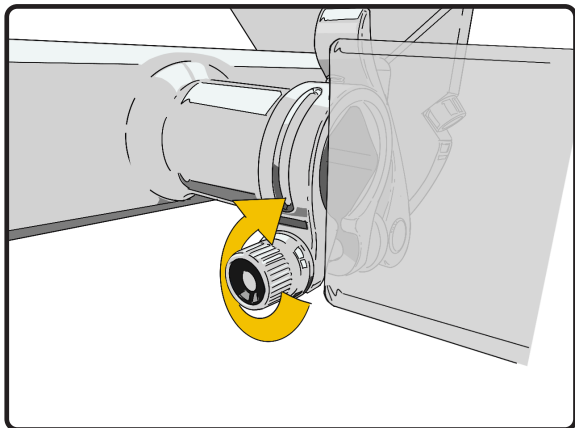
1. Attach the rack to the mounting bracket.



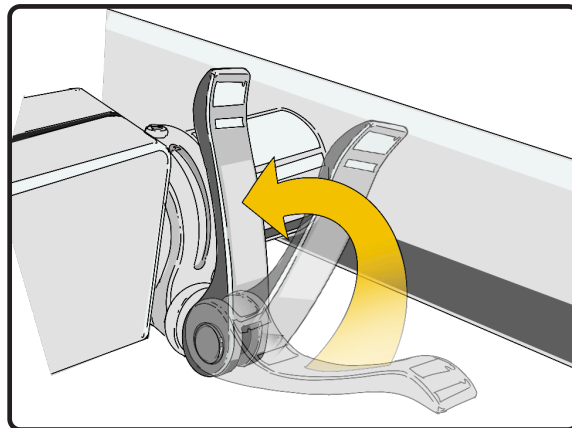
2. Check the quick-release set screw and tighten it down.



3. Tighten down the quick-release nut.



4. Close the quick-release lever to ensure that the rack will not slide off.



\*Loctite® 242 Blue can be applied to any bolt during assembly to ensure a locking fit.

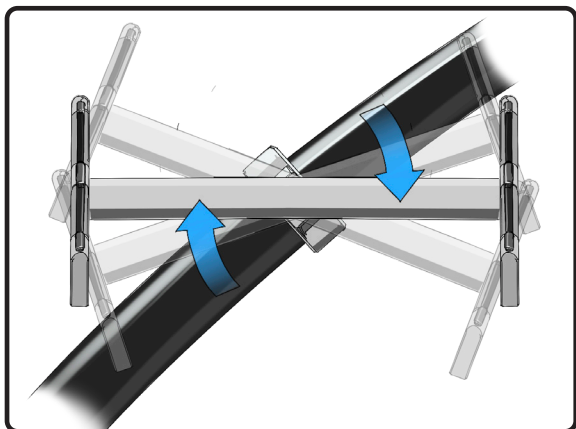


Do you have questions? Call us @ 877.777.8693 Monday - Friday, 8am-5pm EST

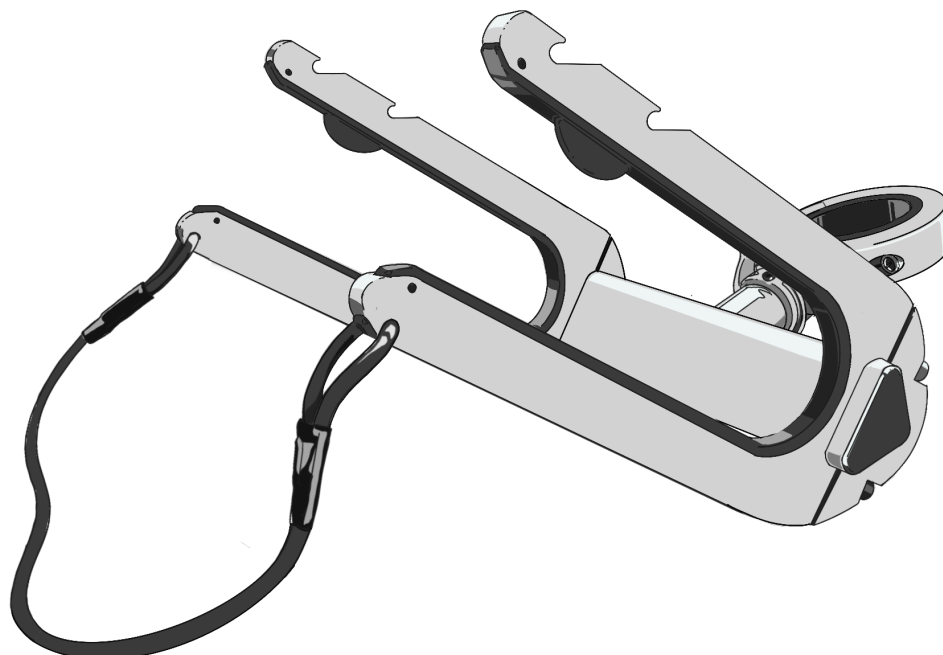
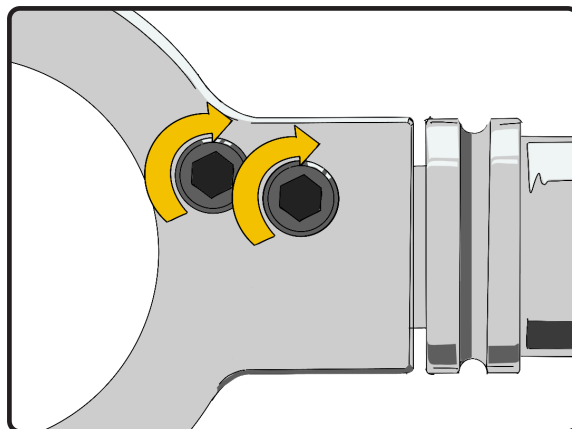
2

### Step 3: Adjusting Rack Postion

1. Rotate the rack to be level with floor of the boat.



2. Tighten down the set screws to keep the rack from freely rotating.



Do you have questions? Call us @ 877.777.8693 Monday - Friday, 8am-5pm EST